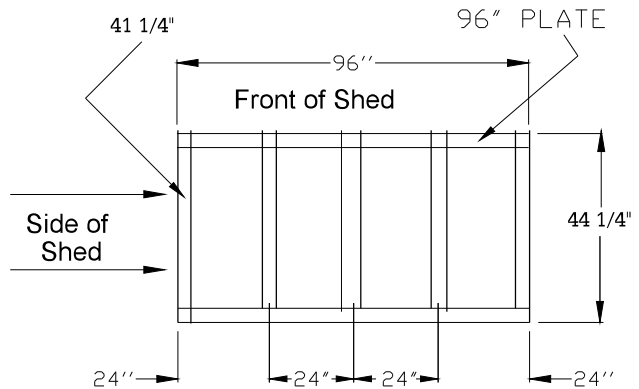


8' x 4' NORFAB Floor Kit Instruction Manual

(Actual floor size is 8' wide x 44 5/8" long)

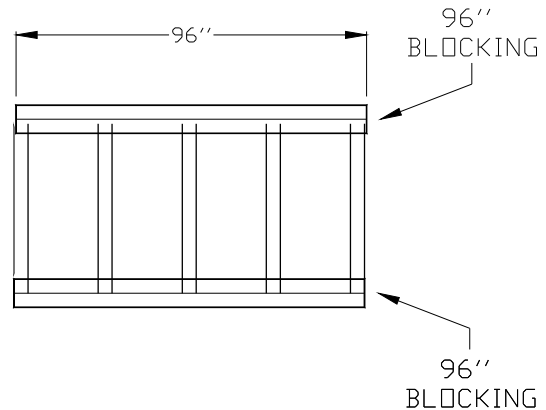
STEP 1:

Assemble the 2" x 4" floor frame by placing the 96" treated 2" x 4", **on edge**, along the outside of the frame and inserting the five treated 2" x 4" x 41 5/8" pieces between them, spacing them at 24" on center. Nail the outer plates to the ends of each 41 5/8" long studs with two 3" coated nails. Ensure that all studs are nailed flush with the adjoining plates.



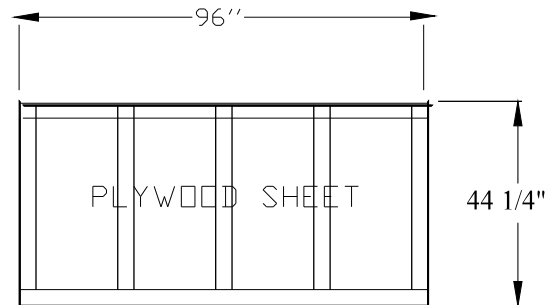
STEP 2:

Level the desired site of your new shed. It is suggested that you use 2 - 4" x 4" x 8' long treated posts (not supplied) to level the site and raise the floor off of the ground. Arrange these blockings as shown here.



STEP 3:

Place the sheet of plywood (44 5/8") on top of the frame, perpendicular to the 41 5/8" studs. Ensure that all edges of the plywood are flush with the frame before nailing the plywood to the frame with 1 1/2" coated nails. Nails should be placed at 12" intervals around the perimeter and along each stud.



* See separate Shed Instructions for shed assembly.

Materials Checklist

- 1 - bag 1 1/2" nails
- 1 - bag 3" nails
- 2 - 2' x 4' x 96" PWF
- 5 - 2' x 4' x 41 5/8" PWF
- 1 - 44 5/8" x 96" Floor Sheathing

***NOTE: Door to go on the 96" side**