

8' x '4 NORFAB FLOOR EXTENSION KIT

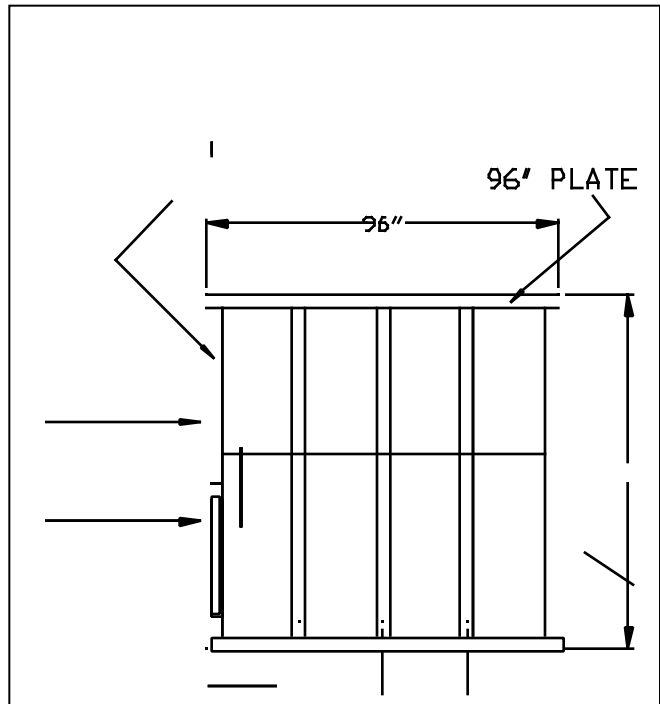
(Actual floor size is 8' wide x 4' long)

*** TO BE USED WITH THE 8 X 8 FLOOR KIT,**

STEP 1:

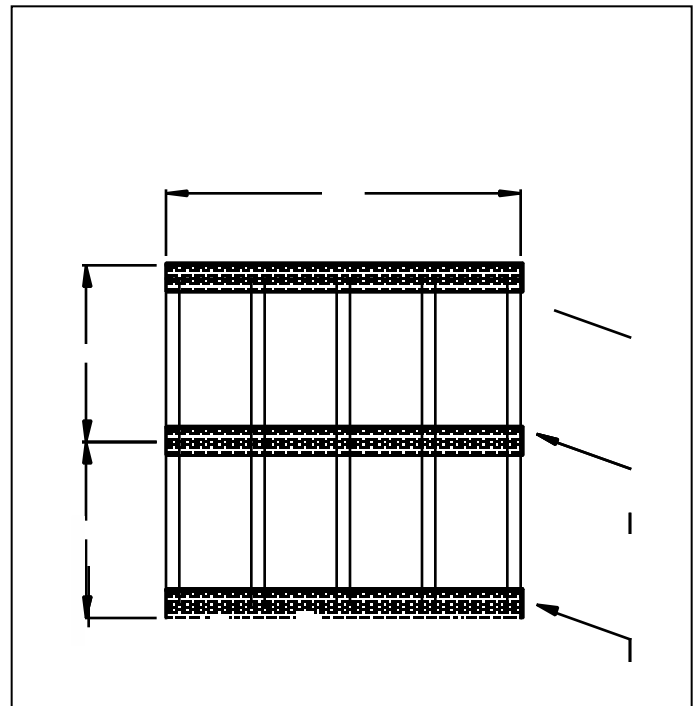
Assemble the 2" x 4" floor frame by placing the 96" plate, **on edge**, along the outside of the frame and inserting the five treated 89 1/4" joist between them, spacing them at 24" on center. * Join the 48" Joist to the 89 1/4" joist using the gussets and 1 _" nails. Nail the outer plates to the ends of each long joist with two 3" coated nails. Ensure that all joists are nailed flush with the adjoining plates.

***NOTE DO NOT USE GUSSETS ON THE OUTSIDE EDGE OF THE FLOOR FRAME!**



STEP 2:

Level the desired site of your new shed. It is suggested that you use 4 - 4"x 4" 8' long treated posts (not supplied) to level the site and raise the floor off of the ground. Arrange these blockings as shown here.



STEP 3:

Place the three sheets of plywood (44 1/4") and 2 (48") on top of the frame, perpendicular to the FLOOR JOIST as shown. Ensure that all edges of the plywood are flush with the frame before nailing the plywood to the frame with 1_" coated nails. Nails should be place at 12" intervals around the perimeter and along each stud.

* See separate Shed Instructions for shed assembly.

Materials Checklist For the 8 x 8 Floor kit (required)

- 1 - bag 1_" nails
- 1 - bag 3" nails
- 2 - 2' x 4' x 96" PWF
- 5 - 2' x 4' x 89 1/4" PWF
- 1 - 44 1/4" x 96" Floor Sheathing
- 1 - 48 " x 96" Floor Sheathing

Materials Checklist (For the 8 x 4 kit only)

- 1 - bag 1_" nails 1 - bag 3" nails
- 8 - Gusset Plates
- 5 - 2' x 4' x 48" PWF
- 1 - 48 " x 96" Floor Sheathing

*** NOTE: Door to go on the 96" side.**

