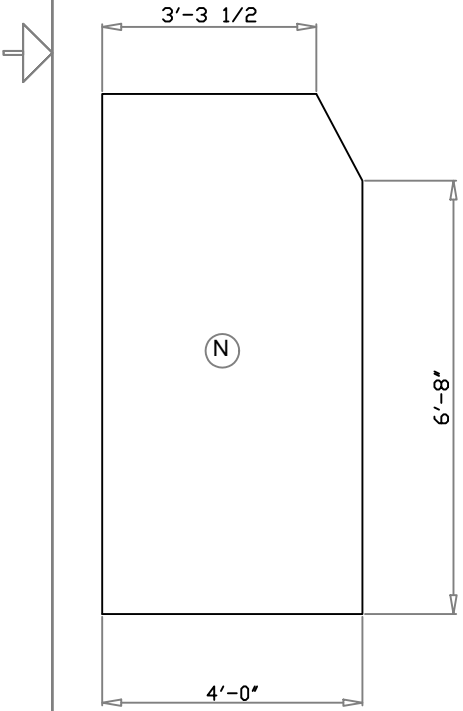
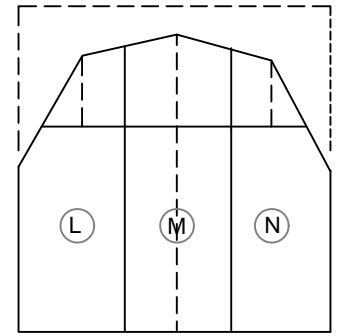
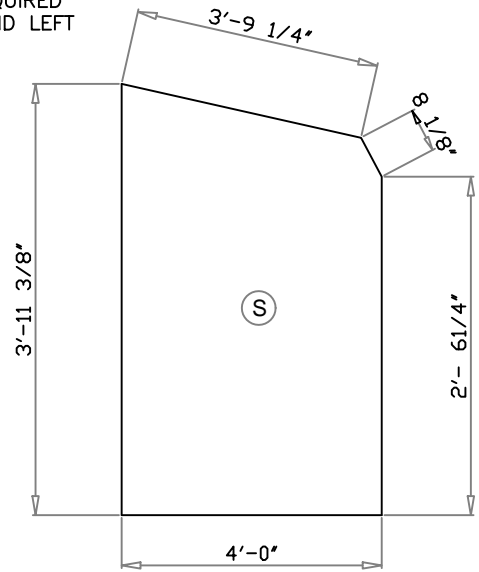
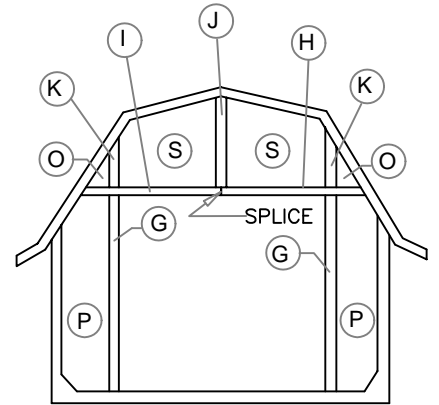
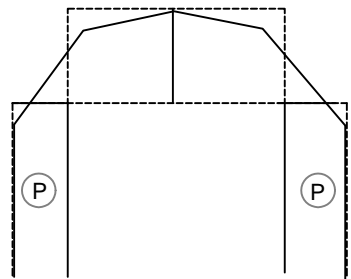


DOOR FRAME
 RIGHT AND LEFT (1x6)
 TOTAL
 4 - 1"x6" x 8'-0" 90°
 6 - 1"x6" x 3'-1" 90°

2 - REQUIRED
 RIGHT AND LEFT



2 - REQUIRED
 RIGHT AND LEFT



2 - REQUIRED
 RIGHT AND LEFT

				DESCRIPTION	DATE: 2005-06
		SIZE	FSCM NO.	DWG NO.	001
		SCALE	NTS	DWG BY	P.A.C.
				SHEET	2